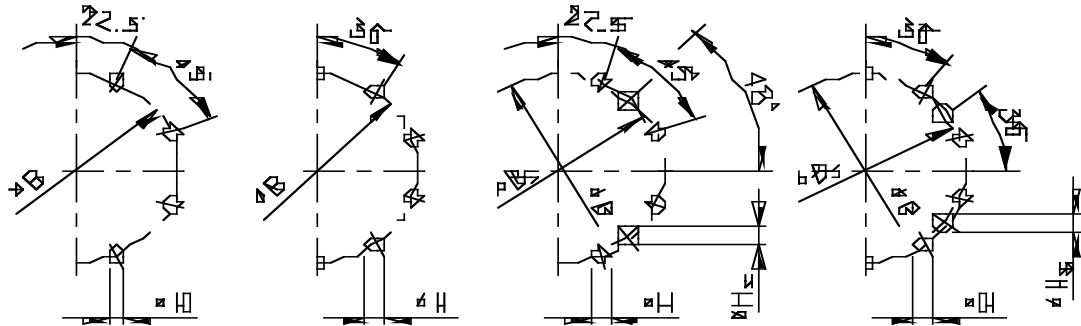
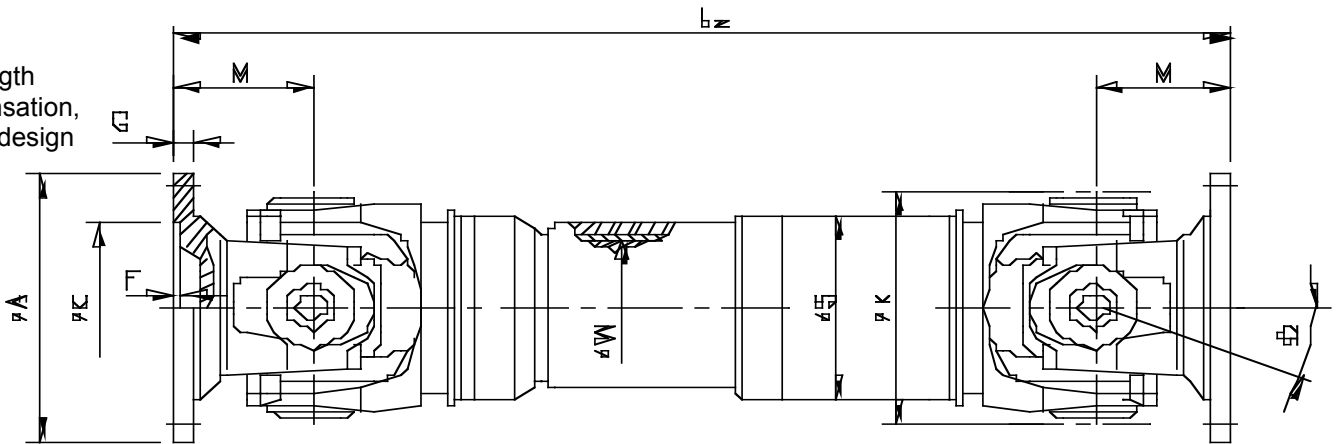




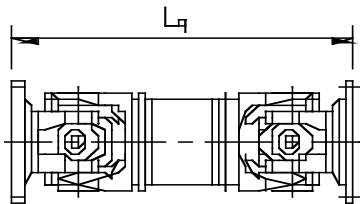
TS

with length compensation, tubular design



T

without length compensation, tubular design

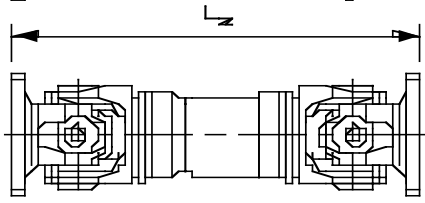


SC1

SC2

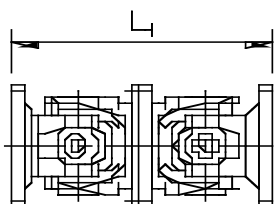
SC3

with length compensation, short design



FF

without length compensation, double flange shaft design





HIGH BEARING LIFE SERIES:

MSI SERIES	360285	360315	365315	365350	370350	370390	375390	375435	380435
-------------------	---------------	---------------	---------------	---------------	---------------	---------------	---------------	---------------	---------------

Capacity:

T _{FL}	Nm	60000	90000	130000	190000	255000
T _K	Nm	47000	70000	102000	145000	195000
T _{FT}	Nm	23000	36000	53000	75000	102000
T _{C100}	Nm	24000	33000	48000	63000	84000
T _{C1000}	Nm	12000	16500	24000	31500	42000

T_{FL} = Functional Limit Torque; T_K = Catalog Torque; T_{FT} = Fatigue Torque (reversing applications)

T_{C100} = Continuous Torque at 100 RPM, 3 deg and 20,000 hours B-10 Bearing Life

T_{C1000} = Continuous Torque at 1000 RPM, 3 deg and 20,000 hours B-10 Bearing Life

Dimensions:

Flange	A	mm	285	315	315	350	350	390	390	435	435
Angle	□	deg	15	15	15	15	15	15	15	15	15
Swing	K	mm	240		265		300		330		370
BC	B	mm	245	280	280	310	310	345	345	385	385
Pilot	C	mm	175	175	175	220	220	250	250	280	280
Depth	F	mm	6	6	6	7	7	7	7	9	9
Thickness	G	mm	20	20	22	22	25	25	28	28	32
Boltholes	H	mm	20.1	22.1	22.1	22.1	22.1	24.1	24.1	27.1	27.1
# of bolts	I	mm	8	8	8	10	10	10	10	10	10
End to cl	M	mm	135	145	150	165	170	180	190		210
Tubing	S	Inch	6.750 x 500		8.750 x 500		8.750 x 750		10.750 x 500		10.750 x 750
Spline	W	mm	68x1.75		78x2		88x2.5		90x2.5		115x2.5

Length Variations [mm]:

Design \ Series		360285	360315	365315	365350	370350	370390	375390	375435	380435
TS	Min. Length L _z	870	890	980	1010	1070	1090	1210		1280
	Slip	100	100	135	135	135	135	170		170
T	Fixed Length L _r	640	660	710	740	800	820	890		960
SC 1	Length L _z	843	863	953	983	1043	1063	1175		1245
	Slip	100	100	135	135	135	135	170		170
SC 2	Length L _z	810	830	890	920	980	1000	1100		1170
	Slip	70	70	75	75	75	75	95		95
SC 3	Length L _z	750	770	835	865	925	945	1030		1100
	Slip	65	65	75	75	75	75	85		85
FF	Length L _r	540	580	600	660	680	720	760		840

Please verify all drive shaft selections with MSI engineering.

Flange may have to be reinforced to transmit max. torque.

Longer Slip and High Angle versions are available.

Above listed are standard metric flange patterns. **Special Flange Patterns** are available upon request.

Weights, torsional stiffness and inertia information can be supplied.

Please consult **MSI engineering**.