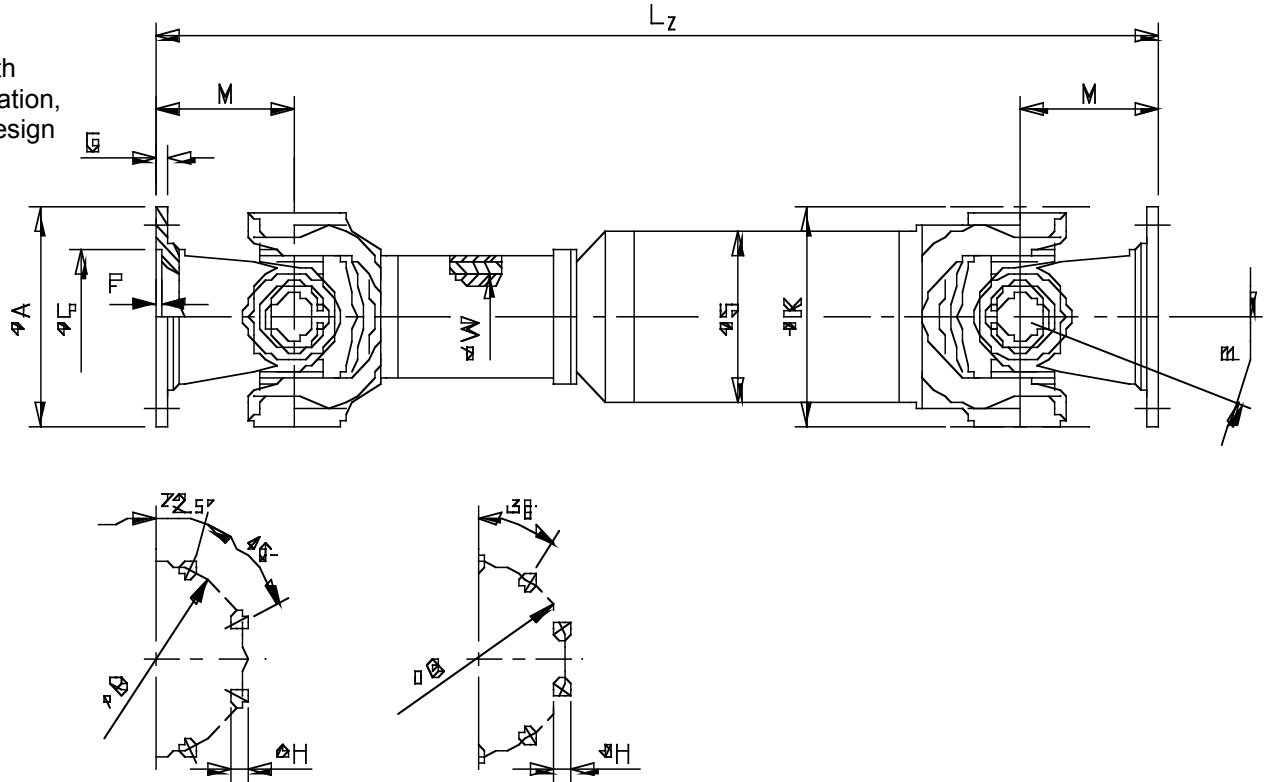




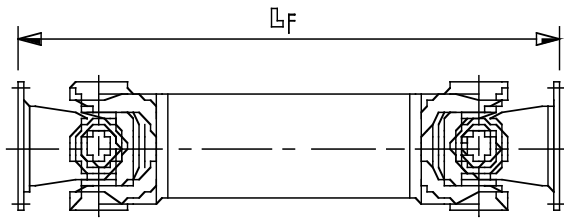
TS

with length compensation, tubular design



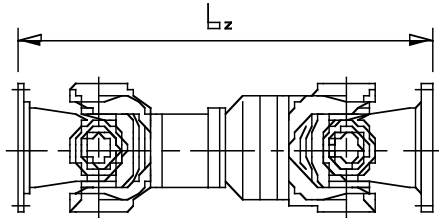
T

without length compensation, tubular design



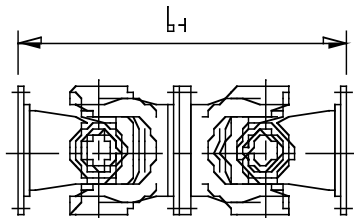
**SC1 SC2
SC3 SC4**

with length compensation, short design



FF

without length compensation, double flange shaft design





MSI SERIES	645180	645225	655180	655225	665180	665225	550225	550250	555250	560285
-------------------	---------------	---------------	---------------	---------------	---------------	---------------	---------------	---------------	---------------	---------------

Capacity:

T _{FL}	Nm	17000	25000	35000	43000	52000	57000
T _K	Nm	13000	19000	27000	33000	40000	44000
T _{FT}	Nm	5100	7300	11000	13000	18000	23000
T _{C100}	Nm	4700	6000	8750	11000	17000	24000
T _{C1000}	Nm	2350	3000	4375	6500	8500	12000

T_{FL} = Functional Limit Torque; T_K = Catalog Torque; T_{FT} = Fatigue Torque (reversing applications)

T_{C100} = Continuous Torque at 100 RPM, 3 deg and 20,000 hours B-10 Bearing Life

T_{C1000} = Continuous Torque at 1000 RPM, 3 deg and 20,000 hours B-10 Bearing Life

Dimensions:

Flange	A	mm	180	225	180	225	180	225	225	250	250	285
Angle	□	deg	25	25	25	25	25	25	24	24	20	20
Swing	K	mm	172		178		204		215		250	265
BC	B	mm	155.5	196	155.5	196	155.5	196	196	218	218	245
Pilot	C	mm	110	140	110	140	110	140	140	140	140	175
Depth	F	mm	3	5	3	5	3	5	4.2	5.2	5.5	6
Thickness	G	mm	12	15	14	15	15	15	15	18	18	20
Boltholes	H	mm	14.1	16.1	16.1	16.1	16.1	16.1	16.1	18.1	18.1	20.1
# of bolts	I	mm	8	8	10	8	10	8	8	8	8	8
End to cl	M	mm	95	90	115	95	110	110	108	108	125	135
Tubing	S	Inch	4.750 x .188		4.750 x .250		144 x 7 mm		144 x 7 mm		6.750 x .375	6.750 x 500
Spline	W	mm	68x1.75		78x2		88x2.5		90x2.5		115x2.5	

Length Variations [mm]:

Design \ Series	645180	645225	655180	655225	665180	665225	550225	550250	555250	560285	
TS	Min. Length L _z	595	585	662	622	686	686	800	800	960	990
	Slip	110	110	110	110	110	110	110	110	100	100
T	Fixed Length L _f	425	415	475	435	491	491	540	540	610	640
SC 1	Length L _z			607		611	693				
	Slip			110		80	110				
SC 2	Length L _z					586	650	650			
	Slip					55	90	90			
SC 3	Length L _z	457	437	513	463	480	544	600	600	720	
	Slip	60	40	60	50	50	70	75	75	65	
SC 4	Length L _z	507	487					550	550		
	Slip	110	100					60	60		
FF	Length L _f	380	360	460	380	440	440	432	432	500	540

Please verify all drive shaft selections with MSI engineering.

Flange may have to be reinforced to transmit max. torque.

Longer Slip and **High Angle** versions are available.

Above listed are standard metric flange patterns. **Special Flange Patterns** are available upon request.

Weights, torsional stiffness and inertia information can be supplied.

Please consult **MSI engineering**.